

DRIVE FOREVER

worry free

LIMITED LIFETIME POWERTRAIN COVERAGE

We believe your purchase experience should be extraordinary, which is why every eligible vehicle we sell has this exclusive complimentary coverage for as long as you own your vehicle!

Engine: cylinder block and cylinder head and all internally lubricated parts, turbocharger, supercharger, harmonic balancer, timing gear, chain and belt, timing cover, intake and exhaust manifolds, valve covers, oil pan, and engine mounts

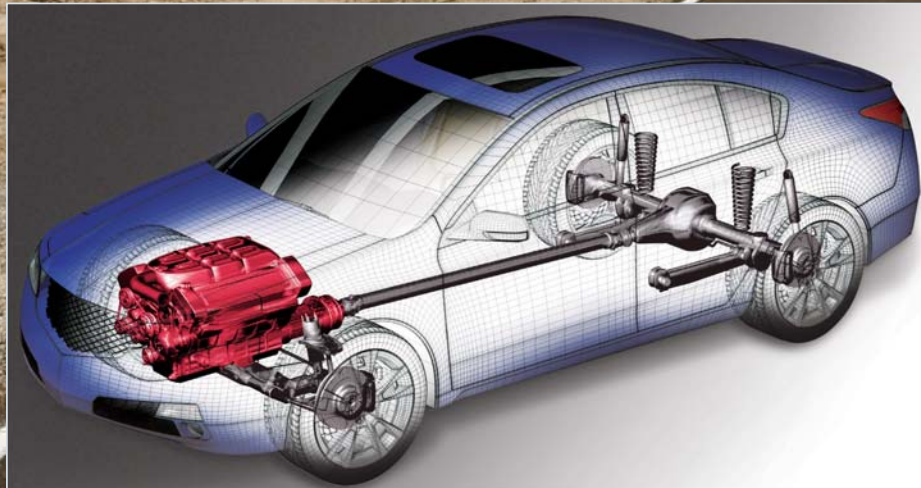
Note: Seals and gaskets in any system are excluded.

Transmission: transmission case and all internally lubricated parts, torque converter, flywheel / flex plate, vacuum modulator and transmission mounts

\$100 Deductible per visit

\$75 Towing Reimbursement

See contract for complete details.



To keep Drive Forever Worry Free in force for as long as you own your car, all we ask is that you allow our dealership the privilege of performing oil and filter changes at least every 6 months or 5,000 miles, whichever comes first.

PREMIUM "WRAP" COVERAGE

As extraordinary as Drive Forever Worry Free is, "wrap" coverage can be added to enhance the Drive Forever program. It not only provides coverage for the engine and transmission, it also covers most parts within the following systems:

- ➔ **Drive Axles**
- ➔ **Air Conditioning and Heating**
- ➔ **Suspension**
- ➔ **Cooling System**
- ➔ **Fuel System**
- ➔ **Electrical System**
- ➔ **Electrical Power Systems**
- ➔ **All Seals and Gaskets**

In fact, it's easier to explain the few items not covered:

- Wear items such as clutch assembly, shock absorbers, brake rotors and drums, tire, fan belts and filters.
- Coolants and lubricants, refrigerants, alignments, wheel balances, tune ups and other maintenance services.
- Paint, carpet, metal, trim, body panels, glass, physical damage, upholstery and weather strips.
- Lenses, sealed beams and light bulbs.

See contract for complete details.

In addition, upgrading also provides:

ROADSIDE ASSISTANCE - Benefits include towing, flat tire changes, jump starts, fluid delivery, lockout service, and concierge service. The Premium WRAP contract covers up to \$100 per occurrence (less the cost of parts or fluids required).

TRIP INTERRUPTION - You also have the added benefit of expense coverage for overnight stays and meals incurred if you are stranded due to the failure of a covered breakdown and you are more than 100 miles from your home. Your Premium WRAP contract provides up to \$75 per day (maximum of three days) for trip interruption.

ALTERNATE TRANSPORTATION - The Premium WRAP contract provides up to \$35 per day (up to a maximum of \$175) for alternate transportation if your vehicle is in a repair facility undergoing repairs for a covered breakdown.



OPTIONAL DRIVE FOREVER PREMIUM “WRAP” COVERAGE

Engine:	Water Pump	Steering:	Electrical:	Suspension:	Drive Assembly:	Memory Seat & Steering Wheel:	(FUEL SYSTEM CONTINUED)	Transmission:	Gear	Convenience
Apex Seals	Cam Plug	Ball Guides	Alternator Bearings	Ball Joints	Axle Flange	Steering Wheel:	Fuel Injection Pump	Accumulator Rings	Speedometer Driven	Accessories:
Balance Shaft	Oil Cooler	Ball Nut	Alternator Brushes	Coil Springs	Axle Shafts	Activator Switches	Fuel Injectors	Accumulator Seals	Gear	Heated Seat Elements
Block	Oil Cooler Lines	Bolts	Alternator Diodes	Control Arm Bushings	Bearings	Control Processor	Fuel Level Sending Unit	Accumulators	Sprags	Horn
Cam Button	Oil Filter Adapter	Center Link	Alternator Field Coils	Control Arm Shafts	CV Joints	Motors	Fuel Pressure	Adjusters	Springs	Horn Relay
Camshaft	Oil Pan Plug	Control Rings	Alternator Housing	Hub Bearings	Carrier Bearing	Solenoids	Regulator	Auxiliary Valve Body	Sprockets	Power Antenna Motor
Camshaft Bearings	Side Cover	Control Valve	Alternator Mounting	Leaf Spring Bushings	Center Bearings	Switches	Fuel Pump	Bands	Stator	Power Door Lock
Compression Rings	Thermostat Housing	Cups	Bracket	Leaf Spring Shackles	Differential Carrier		Fuel Tank	Bearings	Stator Shaft	Actuator
Connecting Rod	Valve Cover Filler Cap	Drag Link	Alternator Pulley	Leaf Springs	Differential Housing	Powertrain Electronics:	Metal Fuel Lines	Blockers	Sun Gear Shell	Power Door Lock
Bearings	Water Pump Pulley	Idler Arm	Alternator Rotor	Lower Control Arms	Drive Axle	Air Flow Meter	Metering Rods	Bolts	Sun Gears	Motor
Connecting Rod Bolts	Vehicle Hardware:	Lock Ring	Backcup Light Switch	MacPherson Strut	Drive Axle Bearings	Barometric Pressure	Throttle Body	Boost Valve	Synchronizer Hub	Power Door Lock
Connecting Rod Caps	Ash Tray	Locknuts	Brake Light Switch	Cartidges	Drive Shaft(s)	Sensor	Throttle Linkage	Bushings	Synchronizer Key(s)	Relays
Connecting Rods	Ash Tray Bracket	Pinion	Defroster Switch	MacPherson Strut	Half Shafts	Coolant Sensor	Throttle Plate	Center Support	Synchronizer Ring	Power Headlamp
Crankshaft	Bumper Impact	Pinion Shaft Adjuster	Door Lock Switch	Housings	Locking Hub Assembly	Cooling Fan Control	Throttle Shaft	Chain	Synchronizer Sleeves	Motor
EGR Valve	Absorbers	Pitman Arm	Headlight Switch	Spindles	Pinion Gear	Processor	Carburetor Base Plate	Check Balls	Synchronizer Springs	Power mirror Motors
Engine Mounts	Courtesy Light	Pitman Shaft	Horn Switch	Spring Shackles	Slip Joints	Cooling Fan Sensors	Carburetor Gaskets	Clips	Synchronizer(s)	Power Seat Motor
Exhaust Manifold	Switches	Pump Housing	Ignition Switch	Stabilizer Bar	Strut Assemblies	Crankshaft Position	Fuel Tank O-Ring	Clutch Drums	Throttle Cable	Power Sunroof Motor
Exhaust Manifold	Door Hinges	Pump Pressure Plate	Manually Operated	Bushings	Strut Bar Bushings	Sensor	Throttle Body Gaskets	Clutch Pistons	Throttle Valve	Power Tailgate Motor
Bolts	Glove Box Lock	Pump Reservoir	Switches	Stabilizer Bar Links	Strut Bar Links	Ignition Coil		Clutch Plates	Torque Converter	Power Tailgate
Exhaust Valves	Assembly	Pump Shaft	Map Light Switch	Stabilizer Bars	Strut Bars	Distributor	Interior Climate:	(Automatic)	Turbine	Solenoids
Flex Plate	Headlamp Mounting	Pump Vanes	Mirror Switch	Steering Knuckles	Strut Shafts	Distributor Gear	A/C Compressor	Clutch Seals	Transfer Case Housing	Power Top Motor
Flywheel	Buckets	Rack Housing	Neutral Safety Switch	Neutrac Bushings	Shaft Couplings	Hall Effect Switch	A/C Compressor	Clutch Packs	Transfer Shaft	Power Trunk Motor
Freeze Plugs	Hood Hinges	Rack Shaft	Power Seat Switch	Strut Bar Links	Shims	IAC Motor	A/C Compressor Coil	Control Rings	Transmission Case	Power Trunk Solenoids
Front Crank Pulley	Hood Latch	Rack Yoke	Power Window Switch	Strut Bars	Side Gears	Knock Sensor	A/C Compressor Mounting Bracket	Cooler	Vacuum Modulator	Power Window Motor
Bolt	Hood Release Cable	Rectifier Rod	Rectifier Bridge	Strut Mounts	Slip Joint	MAP Sensor	Pulley	Counter Shaft	Valve Body	Rear Window
Harmonic Balancer	Hood Springs	Roller Balls	Starter Amature	Torsion Bar Mounts	Spyder Gears	Mechanical Advance	Accumulator	Detent Cable O-Ring	Valve Pack	Defogger
Head Bolts	Inner Door Handles	Shims	Starter Brushes	Track Bar Bushings	U-Joints	Mixture Control	Blower Motor	Detent Cam	Washers	Rear Window
Heads	Liftgate Supports	Snap Rings	Starter Bushings	Track Bar Links	Yokes	Processor	Condenser	Detent Cam Spring	Case Vent	Defroster
Intake Manifold	Manual Seat Track	Spool Valve	Starter Drive	Track Bars	4X4 Engagement	Oxygen Sensor	Control Cables	Detent Valve	Cover Gaskets	Anti-Theft System
Intake Manifold Bolts	Assembly	Steering Column	Starter Field Windings	Upper Control Arms	Actuator/ Motor	Pickup Coil	Ducts	Extension Housing	Detent Cable	Components
Intake Valves	Outer Door Handles	Bearings	Starter Motor	Wheel Bearings	Case Vent	Pole Piece	Evaporator	Gears	Dip Stick	Keyless Entry Module
Intercoler	Parking and Side	Steering Column	Starter Motor Case	King Pin Bushings	Differential Cover	Throttle Position	Expansion Valve	Governor	Dip Stick Tube	Remote Entry
Lifters	Lamp Bodies	Coupling	Starter Solenoid	King Pins	Differential Plug(s)	Sensor	Heater Control Valve	Governor Gear	Dip Stick Tube O-Ring	Receiver
Main Bearing Caps	Lamp Sockets	Steering Column	Sunroof Motor Switch	Spindle Supports		Timing Control	Heater Core	Idler Shaft	Extension Housing	Remote Entry Sender
Main Bearings	Parking and Side	Shaft	Voltage Regulator	Four-Wheel Steering:	Manual & Power Brakes:	Sensors	Idle Pulley	Input Shaft	Gasket	Sport Package:
Main Bolts	Trunk Hinges	Steering Pump	Wiper Motors	Center Shaft	Accumulator	Transmission Shift	Idler Pulley Bearing	Intermediate Shaft	Governor Cover	Mounting Bracket(s)
Oil Pan	Trunk Lid Striker Plate	Mounting Bracket	Wiper Switch	Power Cylinder	Bracking Plate	Control Processor	Idle Pulley Mounting Bracket	Main Shaft	Inspection Plugs	Pop-Out or Sliding
Oil Pump	Trunk Torsion Bars	Steering Pump Pulley	Wiring Harness	Steering Gear Housing	Brake Adjusters	Sensors	Orifice Tube	Manual Master Cylinder	Range Selector	Side/Rear Window,
Oil Pump Cover	Door Latches	Steering Gear Housing	Washer Pump	Steering Pump	Brake Pedal	Transmission Shift	Plenum Doors	Manual Valve	Range Selector Cable	Latches & Hinges
Oil Pump Gears	Door Linkages	Tie Rod Ends	Washer Reservoir	Steering Rack	Brake Pedal Apply Pin	Control Processor	PDA Valve	Metal Cooler Lines	Separate Bell Housing(s)	Running Boards
Oil Pump Pressure	Door Strikers	Tie Rods	Wiper Delay Controller	Steering Rack Assembly	Brake Pedal Lever	Transmission Shift	Receiver - Dryer	Modulator Valve	Side Cover	Spare Tire Carrier
Release Valve	Gas Tank Door Latch	Washers	Wiper Motor Linkage	Stepper Motor	Brake Pedal Pivot	Control Sensors	Serpentine Belt	Mounds	Side Cover	Spare Tire Swing Arm,
Oil Pump Screen	Gas Tank Door Release Cable	Worm Shaft		Stepper Motor Control	Caliper Seals	Vacuum Advance	Tensioner	Output Shaft		Pivot Latches &
Oil Rings	Glove Box Latch	Worm Gear Adjuster		Processor	Combination Valve	Vehicle Speed Sensor	Tensioner Pulley	Pan Bolts		Locks
Wrist Pins	Hatch Hinges	Yoke Spring		Sensors	Disk Brake Calipers	Air Control Solenoid	Serpentine Bearing	Parking Gear	Internal Electronics:	Swing-Away Mirror
Pistons	Filler Cap	Bushings	Seals & Gaskets:	Stepper Motor	Hold Down Nails	Air Regulator Valve	Serpentine Belt	Parking Pawl	Assembly	Arms and Mounts
Pushrods	Pinion Seat	Filler Cap	Axle Gaskets	Stepper Motor	Hold Down Springs	EFE Heater	Serpentine Belt	Planetary Gear Carrier	Cruise Control Cables	Cargo Lamp Body
Rocker Arm Pivots	Pinion Shaft Adjuster	Pinion Seat	Axle Seals	Sensors	Hydro-Boost Unit		Tensioner Bearing	Planetary Gears	Cruise Control Module	Cargo Tie-Downs
Rocker Arm Shaft	Pitman Shaft Seal	Pitman Shaft Adjuster	Cam Housing	Electronic Suspension:	Master Cylinder	Fuel System:	Serpentine Belt	Pressure Regulator	Cruise Control Servo	Tailgate Handle
Rocker Arms	Pump Shaft Seal	Pitman Shaft Seal	Gasket(s)	Air Suspension Bags	Master Cylinder Seals	Accelerator Cable	Tensioner Pulley	Valve	Dash-Mounted C.D.	Latches
Rotor Housing	Rack Bellows	Pump Reservoir	Cam Gasket(s)	Air Suspension	Metal Brake Line	Accelerator Linkage	Pressure Switches	Pressure Tap Plugs	Digital Dash Display	Tailgate Lock &
Rotors	Rack Mounts	O-Ring	Compressor Line	Air Suspension	Fittings	Accelerator Pedal	Pressure Switches	Pump Cover	DVD Player	Cables
Shims	Rack End Seals	Rack Bellows	O-Rings	Compressor	Metering Valve	Accelerator Pump	High/Low Cut-Off	Pump Gears	Electronic Climate Control Head	Locking Hub Assembly
Silent Shaft	Cylinder Head	Rack Mounts	Compressor Seals	CV Joint Boots	Parking Brake Adjuster	Carburetor Air Horn	Switches	Pump Guide Rings	Graphic Equalizer	Power Winch Motor
Sleeves	Gasket(s)	Rack End Seals	CV Joint Boots	Cylinder Head	Parking Brake Cable	Carburetor Bowl	Manifold	Pump Housing	Heads-Up Display	Power Winch Rollers
Springs	Variable Suspension	Steering Fluid Cooler	Gasket(s)	Gasket(s)	Parking Brake Lever	Carburetor Jets	Plenum Door Motors	Pump Vanes	Projector	Remote Control Wiring
Supercharger	Air Tubes	Steering Fluid Cooler Lines	Exhaust Manifold	Gasket(s)	Parking Brake Pedal	Carburetor Linkage	Programmer	Ramp Vanes	Heads-Up Display	Harness
Timing Belt	Variable Suspension	Exhaust Manifold	Gasket(s)	Control Processor	Parking Brake Ratchet Assembly	Carburetor Needle Valve	Shrader Valve Caps	Retainers	Control Unit	Skid Plates
Timing Chain	Variable Suspension	Output Shaft Seal	Oil Pan Gasket	Sensors	Presure Differential Switch	Carburetor Power Valve	Shrader Valves	Ring Gears	Magnetic Tape Player	Tow Hooks
Timing Cover	Variable Suspension	Pinion Seal	Output Shaft Seal	Variable Suspension	Proportioning Valve	Carburetor Seat	Temperature Sensors	Roll Pins	Navigation System	Auxiliary Fuel Tank
Timing Gears	Variable Suspension	Rear Main Seal	Pinion Seal	Variable Suspension	Residual Pressure Check Valve	Carburetor Venturi		Roller Clutches	Radio	and Cut-Over Switch
Timing Guides	Variable Suspension	Shifter Seal	Rear Main Seal	Struts	Return Springs	Check Balls	Important Consumer Benefits:	Separator Plate	Trip/Mileage/Engine	Bed-Mounting Fifth
Timing Tensioners	Variable Suspension	Speedometer Cable Seal	Shifter Seal	Variable Suspension	Self-Adjuster	Choke	Reimbursement	Servo Rings	Function Computers	Wheel Hitch
Turbocharger	Variable Suspension	Steering Pump Shaft Seal	Speedometer Cable Seal	Switches	Mechanism	Choke Butterfly	Towing	Servo Seals	Television	Insert and Wiring
Vacuum Pump	Traction Control:	Timing Cover Gasket	Steering Pump Shaft Seal	Traction Control:	Linkage	Choke Cover	Emergency Road Service	Servos	Video Cassette Player	Receiptacle
Valve Adjusters	Control Processor	Transfer Case Seal(s)	Timing Cover Gasket	Control Processor	Sensors	Choke Pull-Off	Travel Lodging	Sheaves	Amplifier	Running Light Bodies
Valve Cover(s)	Sensors	Transmission Pan	Transfer Case Seal(s)	Sensors	Solenoids	Choke Spring	Travel Lodging	Shift Cover	Manual Climate Control Selector	Trailer Hitch Receiver
Valve Guides	Solenoids	Gasket	Transmission Pan Gasket	Solenoids		Float	Travel Lodging	Shift Forks		See contract for complete details.
Valve Keepers	Warranty Deductible Reimbursement	Valve Cover Gasket(s)	Valve Cover Gasket(s)			Fuel Fittings	Travel Lodging	Shift Shafts		
Valve Retainers						Fuel Injection	Travel Lodging	Snap Rings		
Valve Seals						Distribution Rails	Travel Lodging	Solenoids		
Valve Seats							Travel Lodging	Speedometer Drive		
Wastegate							Travel Lodging			

(CONTINUED AT TOP OF NEXT COLUMN)